

FLAT PANEL LIGHT

MFP01



2x2 40W

1x4 40W

2x4 50W

SPECIFICATION FEATURES

Construction

- Aluminum frame strikes the perfect balance between lightweight design and uncompromising strength.
- One piece shell play as heat sink maximum prolong the life of the light engine.
- Standard T bar design ensure the fixture easily locks onto the grid ceiling .

Optics

- New backlit technology features optimal light dispersion and uniform surface brightness.
- Light engines are available in adjustable color temperature (3500K/4000K/5000K) configurations.
- Scalable Lumen Packages from 2,200 to 6,000 Lumens replaces up to 4 units T8 Fluorescent.

Electrical

- Universal 120-277VAC input voltage.
- Optional 0-10V dimming and dimming range from 10%-100%.
- Three adjustable Wattage levels available for each model.
- Both drivers have a power factor >90%, THD <20%.
- Flicker Percent <5%.
- Operating Temperature Range: -17°C to 45°C (-1.4°F - + 113°F).

Applications

- Suitable for commercial, retail and institutional applications including office, schools and hospitals.

Installation

- Surface Mount (default).
- Recessed Mount (option).
- Suspended mount (option).

Controls

- Optional Occupancy sensor, Microwave sensor, Multifunction Sensor or daylight sensor.
- Optional Bluetooth sensor or Bluetooth controller.
- Silvair Luminaire Level Lighting Control (LLLC) optional.
- Sharkward Luminaire Level Lighting Control (LLLC) optional.
- Haisen Luminaire Level Lighting Control (LLLC) optional.
- Also compatible with 3rd party smart network control system.
- Compatible with high end trim.
- Sensor receptacle option.

Certifications

- UL cUL damp location listed.
- DesignLights Consortium™ Qualified.

Note: Please refer to the DLC website for specific product qualifications at www.designlights.org.

Lifespan

- Estimated 50,000-hour LED lifespan based on IES LM-80 results and TM-21 calculations.

Warranty

- Five-year limited warranty.

Note

- Actual performance may differ as a result of end-user environment and application. All values are design or typical values, measured under laboratory conditions at 25°C(±5°C) specifications subject to change without notice.

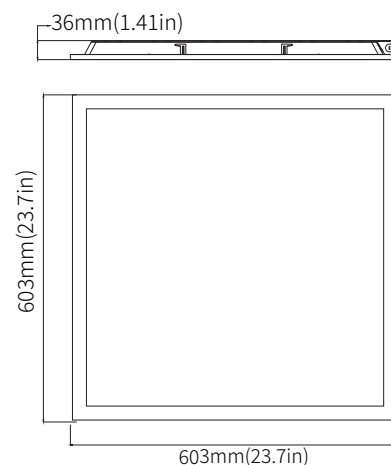
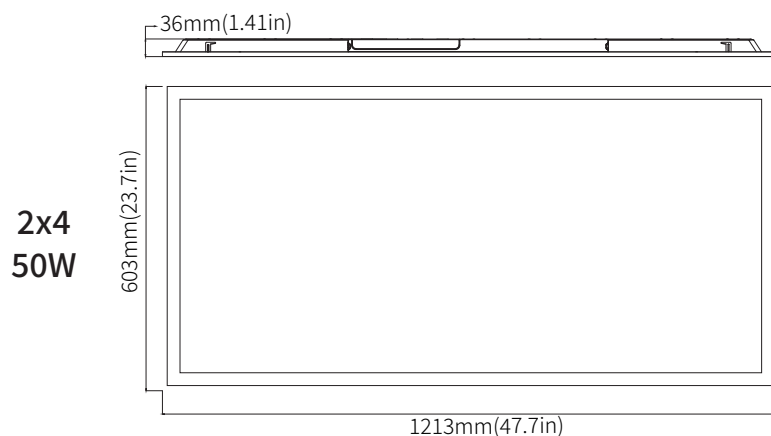
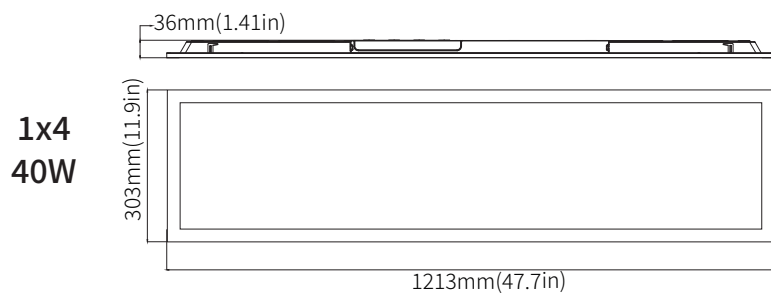
CCT AND WATTAGE ADJUSTABLE

MFP01 40W							
SWITCH SETTING	SYSTEM WATTS	VOLTAGE	CRI	Beam angle	CCT SELECTABLE	LUMENS	LPW
LV1	40W	120-277V	>80	120°	3500K / 4000K / 5000K	4700lm	118 lm/W
LV2	30W	120-277V	>80	120°	3500K / 4000K / 5000K	3600lm	120 lm/W
LV3	20W	120-277V	>80	120°	3500K / 4000K / 5000K	2500lm	125 lm/W

MFP01 50W							
SWITCH SETTING	SYSTEM WATTS	VOLTAGE	CRI	Beam angle	CCT SELECTABLE	LUMENS	LPW
LV1	50W	120-277V	>80	120°	3500K / 4000K / 5000K	6100lm	122 lm/W
LV2	40W	120-277V	>80	120°	3500K / 4000K / 5000K	4900lm	123 lm/W
LV3	30W	120-277V	>80	120°	3500K / 4000K / 5000K	3800lm	127 lm/W

DIMENSION

unit: mm/inch



Net weight :

1x4: 4.3 lbs

2x2: 4.1 lbs

2x4: 8.1 lbs

ACCESSORIES (Optional)



Emergency Battery

Description: 8W 900lm 90min



PIR Sensor

Description:

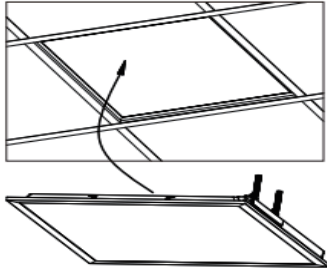
12-24VDC input voltage Plug-in PIR sensor;

NOTE: Factory Default Setting: 100% sensitivity,

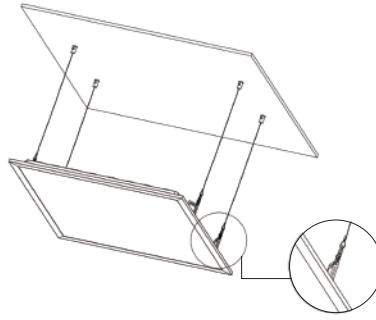
Hold on time: 5min, Daylight sensor is.

Dimming level: 30%, Dimming time: 60minutes.

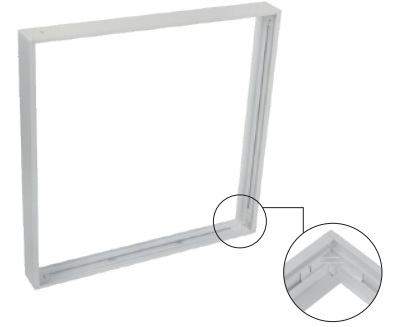
MOUNTING OPTIONS



Recessed Mount
(default)



Suspended Mount
(option)



Surface Mount
(option)

ORDERING GUIDE

Example: MFP01 22F 40W 27V DDK W M B AD Y

Fixture Type	Size	Wattage	Voltage	CCT	Finish	Sensor (Option)	Emergency Battery (Option)	Power Adjustable	Internal Code
<input type="checkbox"/>	<input type="checkbox"/>	<input type="checkbox"/>	<input type="checkbox"/>	<input type="checkbox"/>	<input type="checkbox"/>	<input type="checkbox"/>	<input type="checkbox"/>	<input type="checkbox"/>	<input type="checkbox"/>
MFP01	24F 2x4'	50W	27V 120-277V	DDK Adjustable color temperature	W White	M With Sensor	B With Emergency Battery	AD Power Adjustable	Blank Alphanumeric
Flat Panel Series	22F 2x2'	40W				Blank Without Sensor			
	14F 1x4'	40W				Blank Without Emergency Battery			

DLC Model NO.

SYSTEM WATTS	Product ID	CCT	DLC NO.	DLC Classification
40W	S-8PM799	3500K/4000K/5000K	MFP012240W27VDDKW[Blank,M][Blank,B]AD[Blank,A-Z,a-z,0-9]	Standard
	S-C12J9P	3500K/4000K/5000K	MFP011440W27VDDKW[Blank,M][Blank,B]AD[Blank,A-Z,a-z,0-9]	Standard
50W	S-RXY8VP	3500K/4000K/5000K	MFP012450W27VDDKW[Blank,M][Blank,B]AD[Blank,A-Z,a-z,0-9]	Premium

MESTER LED LIMITED

P: +86 755 28173385 Email: sales@szmester.com
3rd F, Section B, Building A, Sunshine Industrial Park, Hezhou, Xixiang, Bao' an District, Shenzhen China.

Specifications are subject to change without notice.
Updated date: 2024-07-02