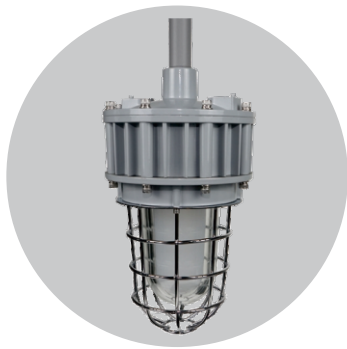


Model G Specification



Materials

- ★ Housing: Copper free aluminum
- ★ Diffuser: Tempered glass
- ★ Bolts: Stainless steel
- ★ Mounting Bracket: Stainless steel

Basic Data

Part number	Wattage	CCT	Voltage Options	Lumens	Warranty	CRI
YB-20W GYZDA	20	3000K-5700K	AC: 100-277V <input type="checkbox"/>	2800	5 years	70+
YB-30W GYZDA	30		AC: 200-480V <input type="checkbox"/>	4200		
YB-40W GYZDA	40			5600		

G=Product Series, Y=D or N, dimmable or non-dimmable, Z=CCT, 3000K-5700K, DA=Beam Angle, D120=120 degree

Explosion Protection

Marking Atex	II2 G Ex db op is IIB T4/T5 Gb II2 D Ex op is tb IIIC T135°C Db IP66
Marking IECEx	Ex db op is IIB T4/T5 Gb Ex op is tb IIIC T135°C Db IP66
Marking UL844 (North American)	Class I, Division 1, Groups C, D Class I, Division 2, Groups A, B, C, D Class II, Division 1, Groups E, F, G Class II, Division 2, Groups F, G Class III
Marking Marine	UL 1598A ABS and DNV Type Approved
Other Rating	IP 66 IK 10

Applications

Oil and Gas industry

- ★ All petroleum production and refining
- ★ Petroleum loading and transportation
- ★ Petroleum storage and retail
- ★ LNG industry
- ★ All mining operations and service

Chemical industry

- ★ All types of painting facilities
- ★ Chemical production and storage

Ocean, marine and aerospace field

- ★ Ocean platform operation facilities and structure
- ★ Aerospace clean room and production
- ★ Ocean vessel operations

Metal treatment

- ★ Steel and aluminum factories
- ★ Pumping stations in any environment
- ★ Metal smelting, foundry and manufacturing

Food and alcohol industry

- ★ Flour and fine particle production and storage
- ★ Food and distilling production
- ★ Alcohol industry

Other high humidity, dust, high temperature, vapor locations

Model G Specification

Key Features

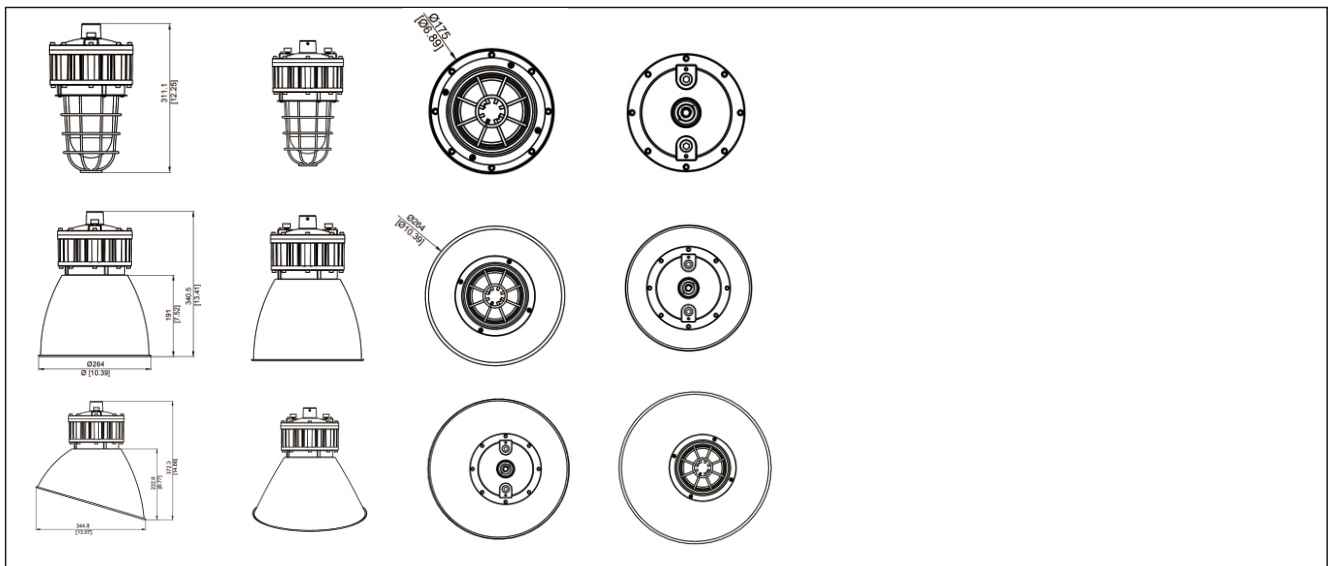
- High quality SMT LED and Meanwell Driver.
- Light-weight design by aircraft aluminum.
- Heavy-duty and high impact resistance.
- Marine rating powder coated appearance treatment.

Value-Added Features

- 10kv surge protection.
- Various installation ways for different applications.
- Operation temperature -40°C to +60°C

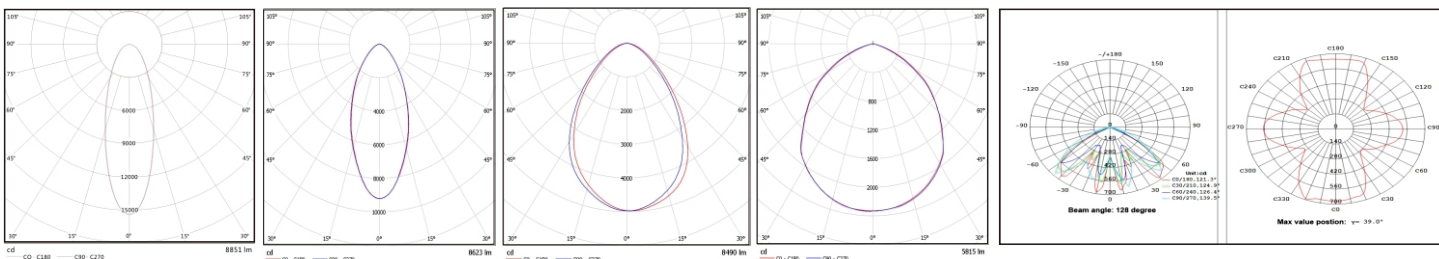
Mechanical Structure

Unit: mm or inch

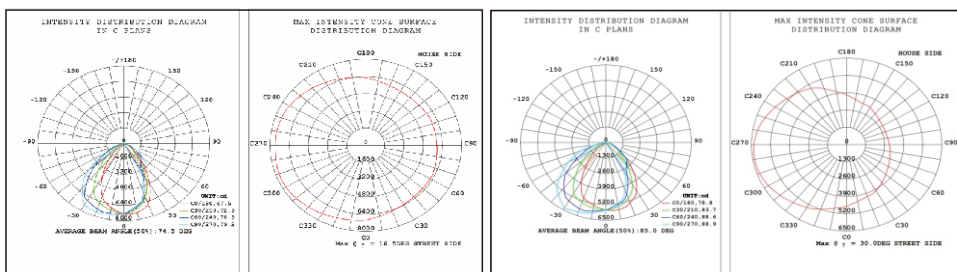


This structure type with bracket, flat glass and optical lens to generate 40°, 60°, 90° and 120° light distribution.

Lighting Distribution



Spherical Glass Lens



Spherical Glass Lens with Lampshade

Spherical Glass Lens with Cutted Lampshade

Model G Specification

Installation Manual

WARNING

READ INSTRUCTIONS CAREFULLY BEFORE INSTALLING. KEEP THIS INSTRUCTIONS FOR FUTURE REFERENCE. Fixtures must be wired in accordance with the National electrical code and all applicable local codes. Proper grounding is required for safety.

THIS PRODUCT MUST BE INSTALLED IN ACCORDANCE WITH THE APPLICABLE INSTALLATION CODE BY QUALIFIED ELECTRICIAN WHO IS FAMILIAR WITH THE CONSTRUCTION AND OPERATION OF THE PRODUCT AND THE HAZARDOUS INVOLVED.

Warning: Risk of fire or electric shock. Flood light installation requires knowledge of luminaires and electrical systems. DO NOT open the enclosure when energized, DO NOT try to install if not qualified. Please contact a professional electrician.

Warning: Risk of fire or electric shock. Suitable for wet locations. Make sure the power is off prior to installation.

Warning: Risk of fire or electric shock. Suitable for non-insulated surface and frame. DO NOT cover fixture with insulation liner or similar material.

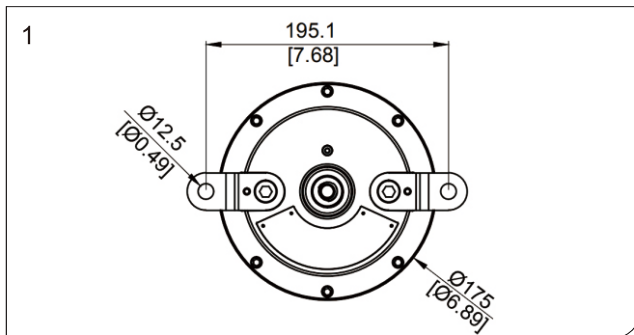
Warning: DO NOT install in unstable, loose or breakable surfaces.

Warning: DO NOT let objects impact or exert force on the surface of the fixture.

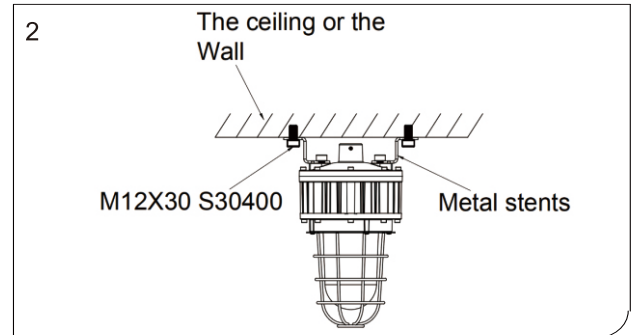
Ceiling Mounting



WARNING
Risk of fire, Electric shock or personal injury
Please turn off power before installation!

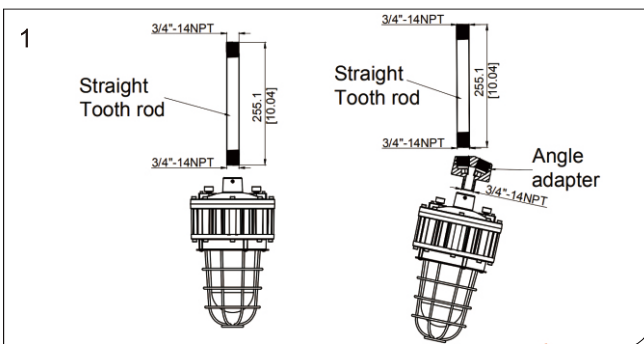


1. Punch tapping on the top of the mounting.

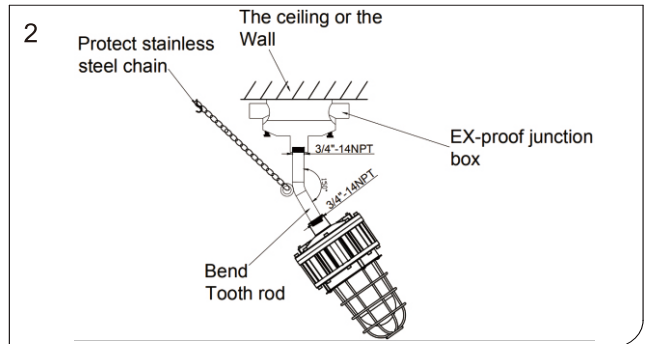


2. Fix the lamp to the top with bolts.

Tooth rod mounting



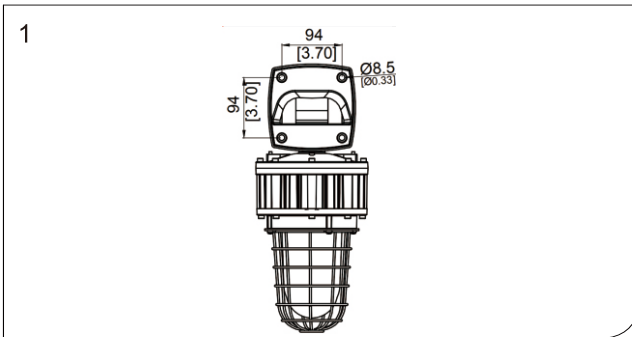
1. Sea the ring until the lamp body and the joint are tightened in the junction box, and tighten the set screw.



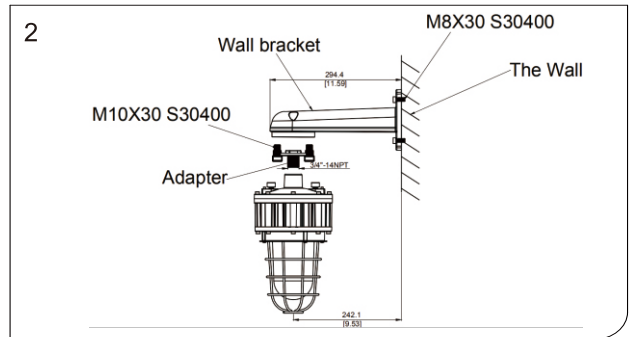
2. Pass the connector through the cable, screw in the steel tube, tighten the set screw, and then thread the cable through the spacer.

Model G Specification

Wall mounting

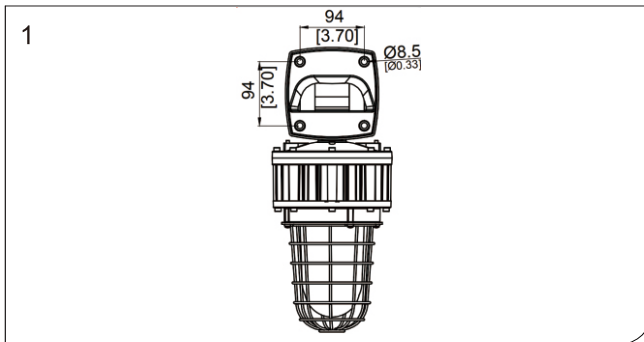


1. Mount the lamp body on the wall through the bracket, and then pass the cable through the connector, gasket, and seal ring in sequence to the junction box.

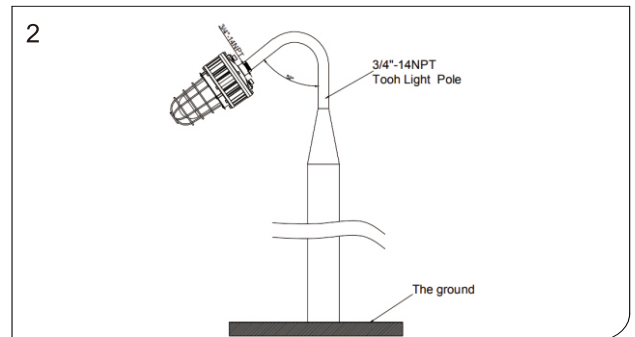


2. Fix the lamp.

Tooh pole mounting

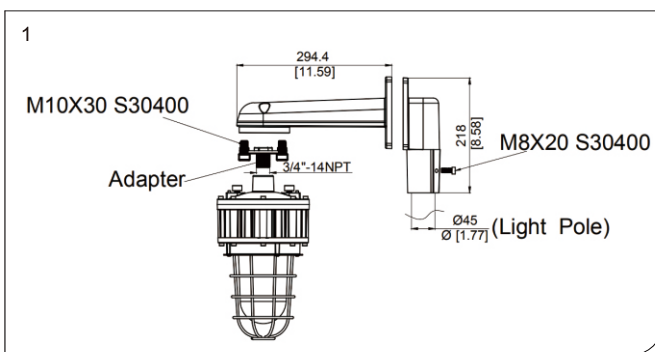


1. Mount the lamp body on the wall through the bracket, and then pass the cable through the connector, gasket, and seal ring in sequence to the junction box.

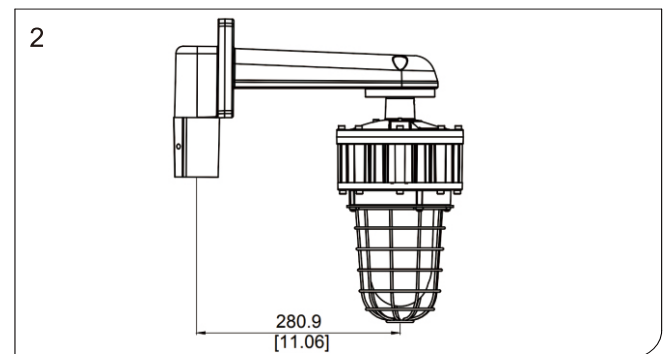


2. Mount the lamp on the pole.

Light pole mounting



1. Punch tapping on the top of the mounting.



2. Tighten the set screw.

Model G Specification

Packing Information

Model	Quantity/Ctn	Length(cm)	Width (cm)	Height(cm)	Net(Kg)	Gross(Kg)
G	1	38	26,5	25,5	4,65	5,4
G(+25°pole stanchion)	1	51	56	26	6,5	8

Accessories



- Model: YB-Junction01
Name: Junction Box
Material: Aircraft Aluminum A383



- Model: YB-Hook
Name: Installation Hook
Material: Aircraft Aluminum A383



- Model: YB-Conduit01
Name: Metal Conduit
Material: Stainless Steel and Aluminum



- Model: YB-WPipe
Name: Winding Swing Pipe
Material: Iron with Power Coating



- Model: YB-SPipe
Name: Winding Swing Pipe
Material: Iron with Power Coating



- Model: YB-D01
Name: Pendant Direction Adapter
Material: Aircraft Aluminum A383



- Model: YB-MArm
Name: Surface Mounting Arm
Material: Aircraft Aluminum A383



- Model: YB-25PSupport
Name: 25 Degree Pole Support
Material: Aircraft Aluminum A383



- Model: YB-90PSupport
Name: 90 Degree Pole Support
Material: Aircraft Aluminum A383



- Model: YB-90JSupport
Name: 90° Arm to Junction box
Material: Aircraft Aluminum A383



- Model: YB-25JSupport
Name: 25° Arm to Junction box
Material: Aircraft Aluminum A383



- Model: YB-DArm
Name: Direct Mounting Arm
Material: Aircraft Aluminum A383



- Model: YB-PCH
Name: Pendant Chain
Material: Stainless Steel S30400